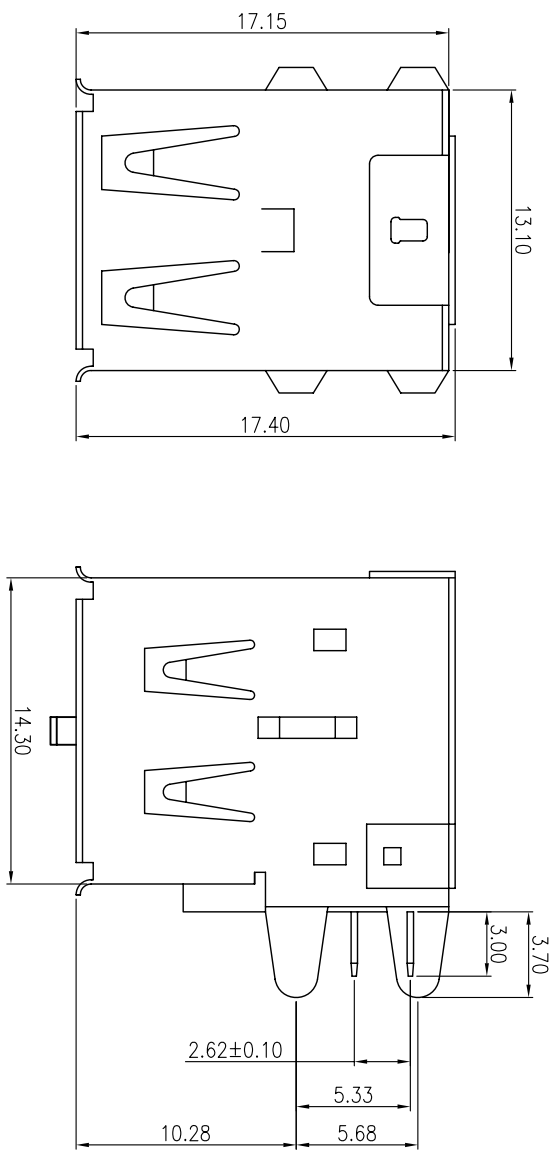
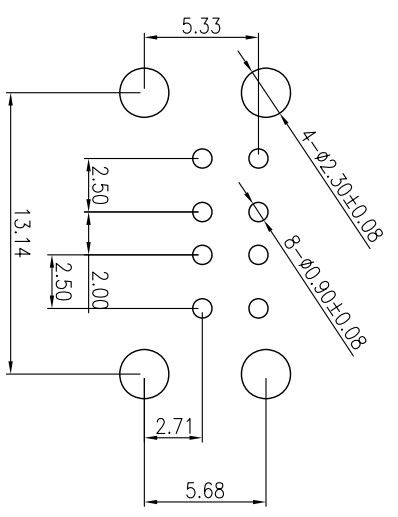


VI.2 NOTE: THIS DEVICE IS ROHS COMPLIANT.

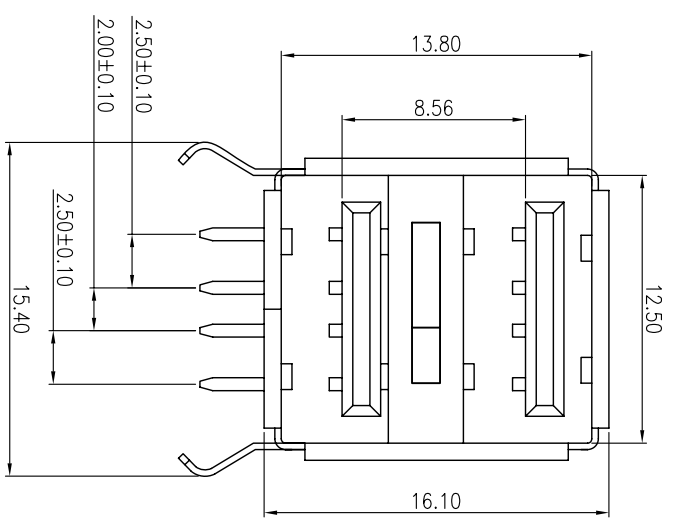
		REVISIONS					
SYM	DESCRIPTION	DATE	APPROVED	SYM	DESCRIPTION	DATE	APPROVED
Δ				Δ			
Δ				Δ			
**CUSTOMER DRAWING FOR REFERENCE ONLY, SAMPLES APPROVAL ARE REQUIRED!!							052



- NOTES:
1. MATERIAL
  - 1.1 CONTACTS: PHOSPHOR BRONZE, GOLD/TIN PLATED
  - 1.2 SHELL: BRASS, NICKEL PLATED
  - 1.3 INSULATOR: PBT UL 94V-0
  2. ELECTRICAL
  - 2.1 TERMINATION RESISTANCE: 30m OHMS MAX
  - 2.2 INSULATION RESISTANCE: 2000M OHMS MIN AT 250V DC
  - 2.3 DIELECTRIC WITHSTANDING VOLTAGE: AC 750V/min.R.M.S.
  3. MECHANICAL
  - 3.1 MATING FORCE: 35 NEWTONS MAX
  - 3.2 UNMATING FORCE: 10 NEWTONS MIN
  4. ENVIRONMENTAL
  - 4.1 TEMPERATURE RANGE: -50°C TO +105°C
  - 4.2 RECOMMENDED PC BOARD THICKNESS: 1.57MM
  - 4.3 GENERAL TOLERANCE: ±0.1/0.004



P.C.B LAYOUT



ORDER INFORMATION:  
 USBX03-Pd08NGft-S  
 USB: USB CONNECTOR  
 X03: SERIES NO.  
 003: COLOR OF PLASTIC, WHITE  
 103: COLOR OF PLASTIC, BLACK  
 Pcr: PCB TYPE RIGHT ANGLE  
 08: 8 OF CONTACT  
 N: SHELL PLATING,  
 N: NICKEL PLATING  
 Gft: GOLD FLASH ON CONTACT, TIN PLATING ON SOLDER TAIL  
 S: WITH SPRING

TOLERANCES UNLESS OTHERWISE SPECIFIED		SIGNATURES		DATE		MODEL	
SYMBOL	UNIT	SCALE	CHECKED	WENDY	17/DEC/08	TITLE	USB CONNECTOR
Δ	mm	3/1	APPROVALS		17/DEC/08	NO.	USB_03-Pd08NGft-S

MMT CORPORATION