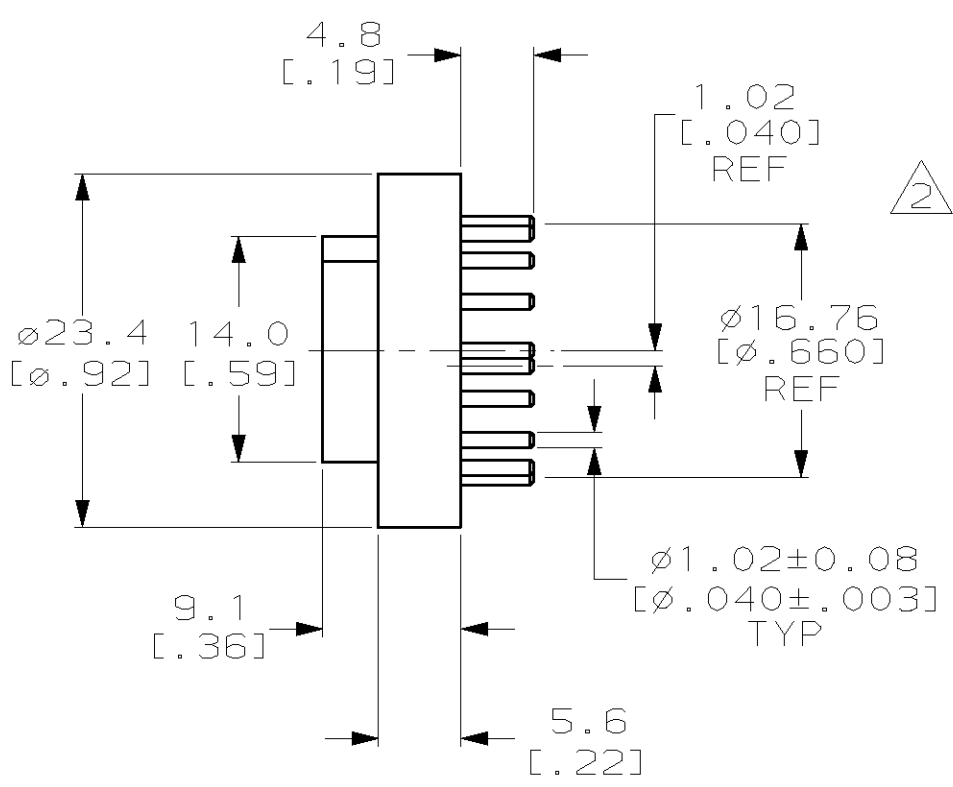
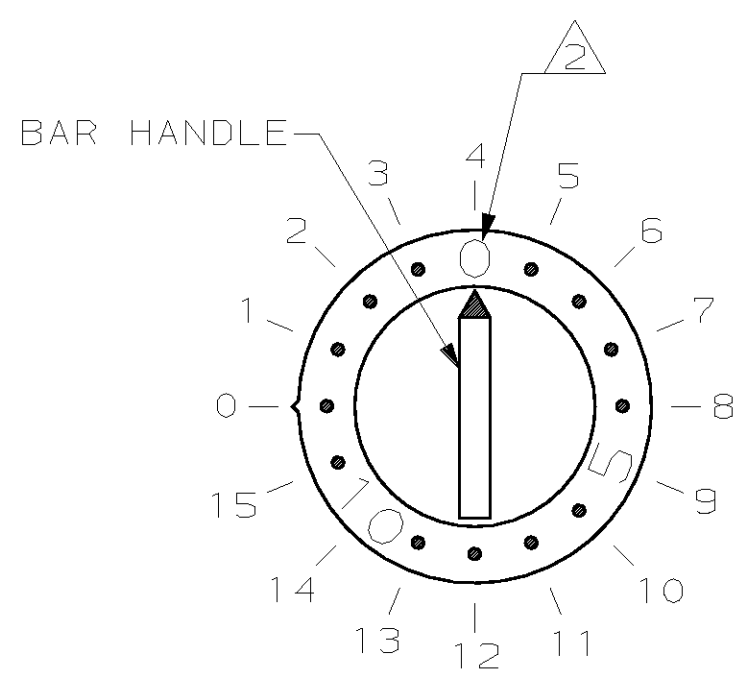
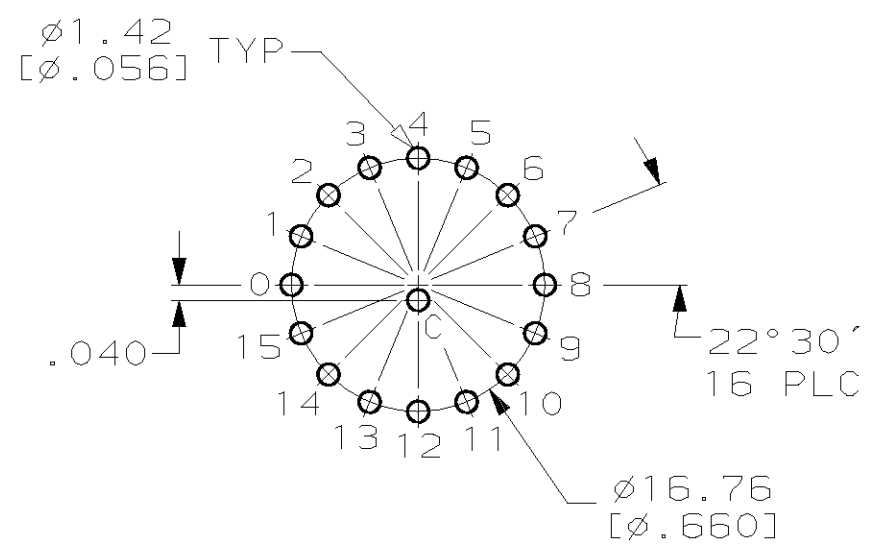


THIS DRAWING IS UNPUBLISHED. RELEASED FOR PUBLICATION ,19 .  
 © COPYRIGHT 19 BY AMP INCORPORATED. ALL RIGHTS RESERVED.

LOC		DIST		REVISIONS					
FT		69		P	LTR	DESCRIPTION	DATE	DWN	APVD
				K		REV PER 063C-0765-04	30NOV04	RB	MZ



1 FINISH: SOLDER TAILS TIN PLATE 0.0038 [.000150] MIN THK OVER 0.0013 [.000050] MIN THK NICKEL. CONTACT AREA 0.00076 [.000030] MIN. HARD GOLD OVER 0.00127-0.00254 [.000050-.000100] LOW STRESS NICKEL.  
 2 CHARACTERS 2.5 [.10] HIGH, COLOR BLACK.



		SWITCH POSITION															
		0	1	2	3	4	5	6	7	8	9	10	11	12	13	14	15
COMMON TO	0	●															
	1		●														
	2			●													
	3				●												
	4					●											
	5						●										
	6							●									
	7								●								
	8									●							
	9										●						
	10											●					
	11												●				
	12													●			
	13														●		
	14															●	
	15																●

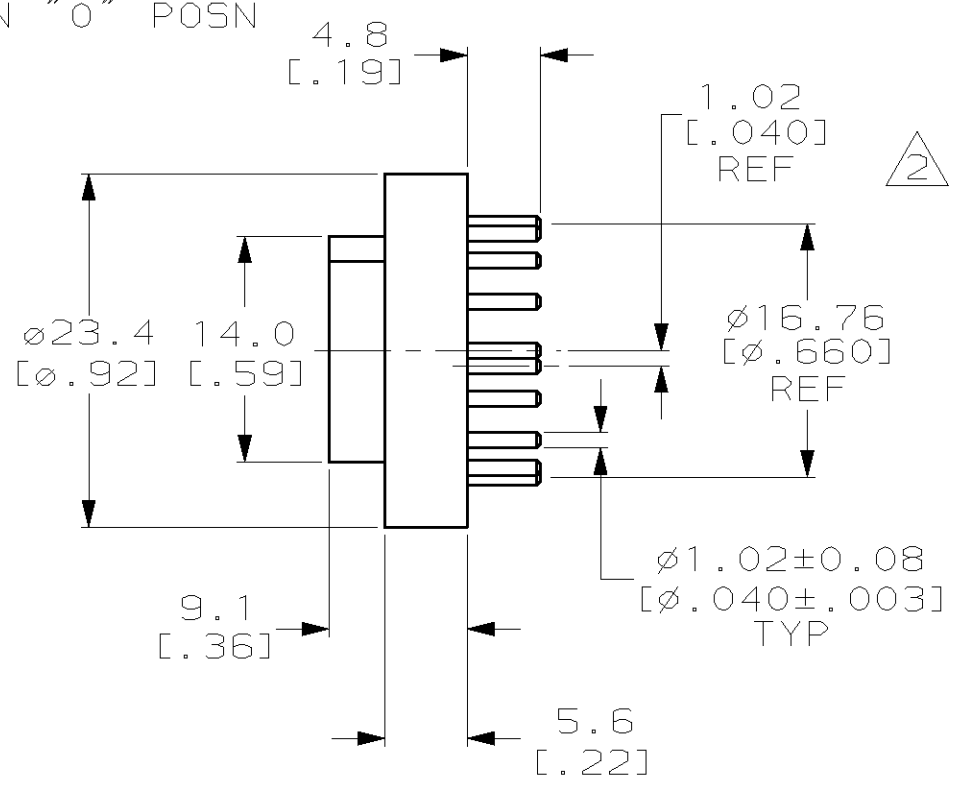
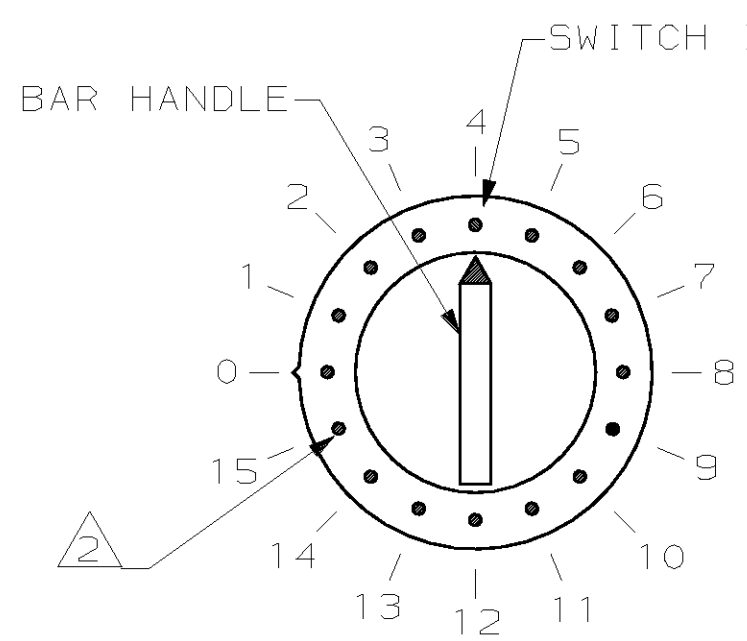
P.C. BOARD HOLE LAYOUT SWITCH SIDE

1-435304-1  
PART NO

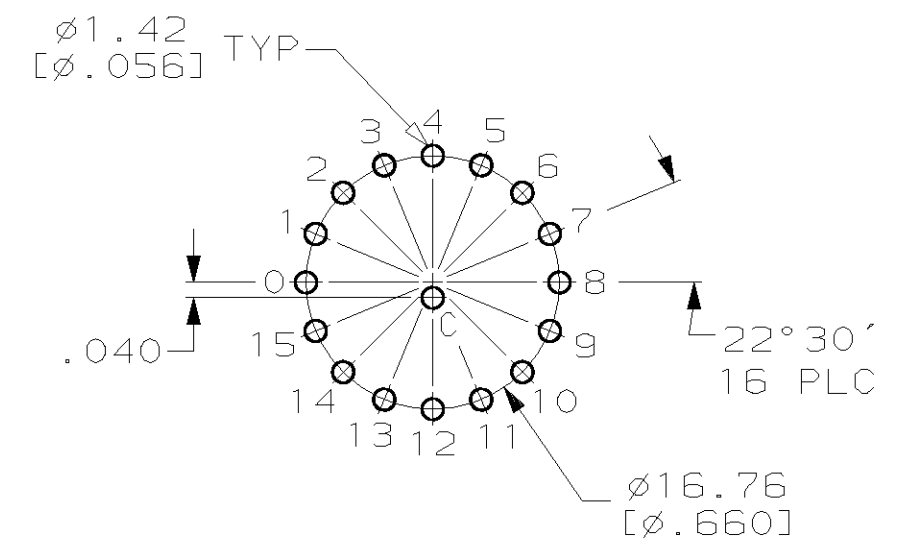
THIS DRAWING IS A CONTROLLED DOCUMENT.		DWN R. TALLEY 8-7-92	AMP Incorporated Harrisburg, PA 17105-3608			
DIMENSIONS: mm [INCHES]		CHK R. MILLER 8-7-92				
TOLERANCES UNLESS OTHERWISE SPECIFIED: 0 PLC ±- 1 PLC ±- 2 PLC ±0.5 [.02] 3 PLC ±- 4 PLC ±- ANGLES ±0°30'		APVD D. HUFFMAN 8-9-91	NAME ROTARY SWITCH ASSY, 16 POSN, 6000 SERIES SINGLE POLE			
MATERIAL CASE: THERMOPLASTIC, COLOR NATURAL CONTACT: BRASS		PRODUCT SPEC 108-7514	SIZE A3	CAGE CODE 00779	DRAWING NO C- 435304	RESTRICTED TO -
FINISH 1		APPLICATION SPEC 114-7005	SCALE 2:1		SHEET 1 OF 3	REV K
CUSTOMER DRAWING		WEIGHT -				

THIS DRAWING IS UNPUBLISHED. RELEASED FOR PUBLICATION ,19 .  
 © COPYRIGHT 19 BY AMP INCORPORATED. ALL RIGHTS RESERVED.

LOC	DIST	REVISIONS					
FT	69	P	LTR	DESCRIPTION	DATE	DWN	APVD
		-		SEE SHEET 1	-	-	-



- 1 FINISH: SOLDER TAILS TIN PLATE 0.0038 [.000150] MIN THK OVER 0.0013 [.000050] MIN THK NICKEL. CONTACT AREA 0.00076 [.000030] MIN. HARD GOLD OVER 0.00127-0.00254 [.000050-.000100] LOW STRESS NICKEL.
- 2 POSITION MARKINGS ø7.62 [ø.030], COLOR BLACK.



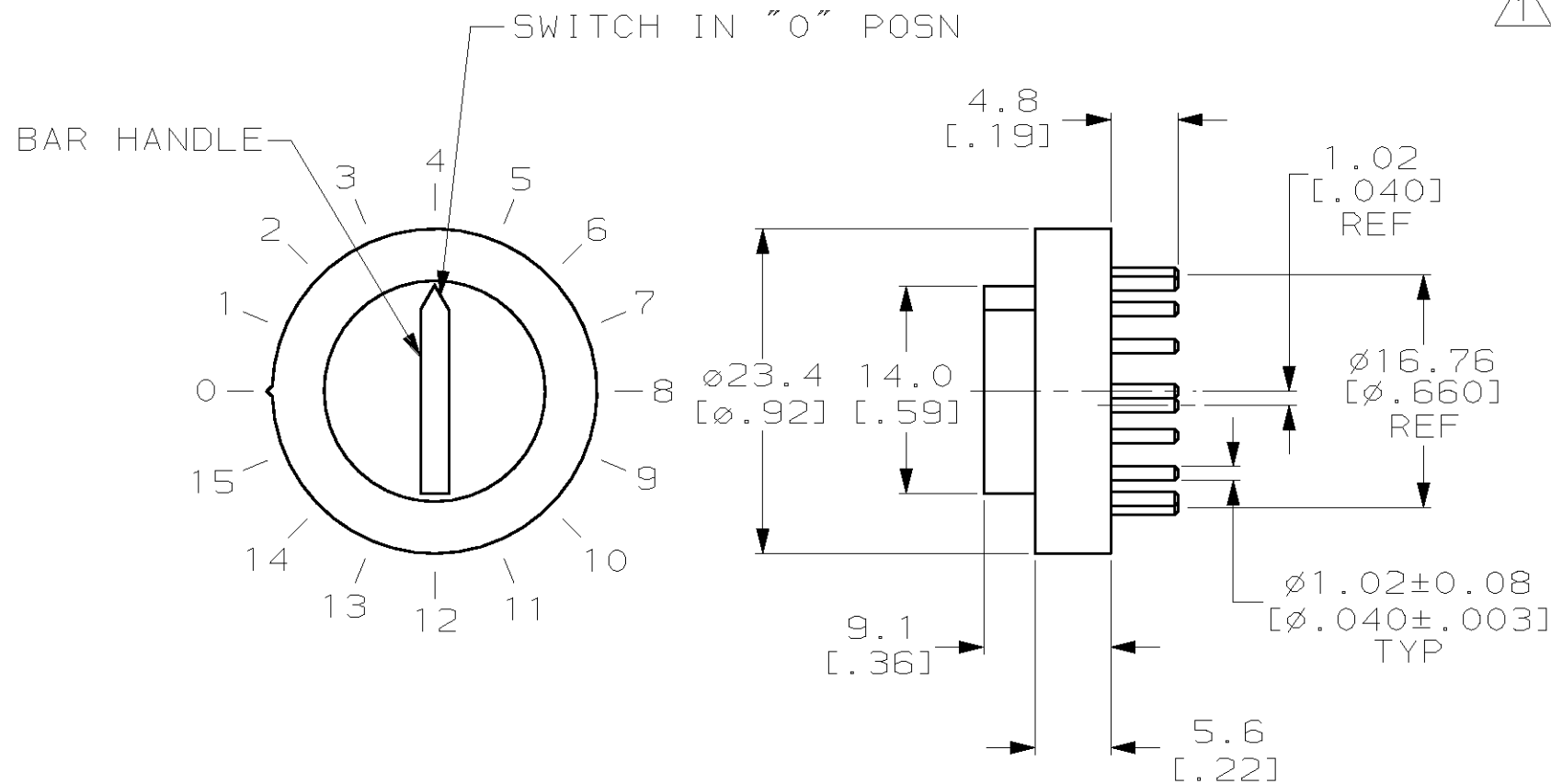
COMMON TO	SWITCH POSITION															
	0	1	2	3	4	5	6	7	8	9	10	11	12	13	14	15
0	●															
1		●														
2			●													
3				●												
4					●											
5						●										
6							●									
7								●								
8									●							
9										●						
10											●					
11												●				
12													●			
13														●		
14															●	
15																●

P.C. BOARD HOLE LAYOUT SWITCH SIDE

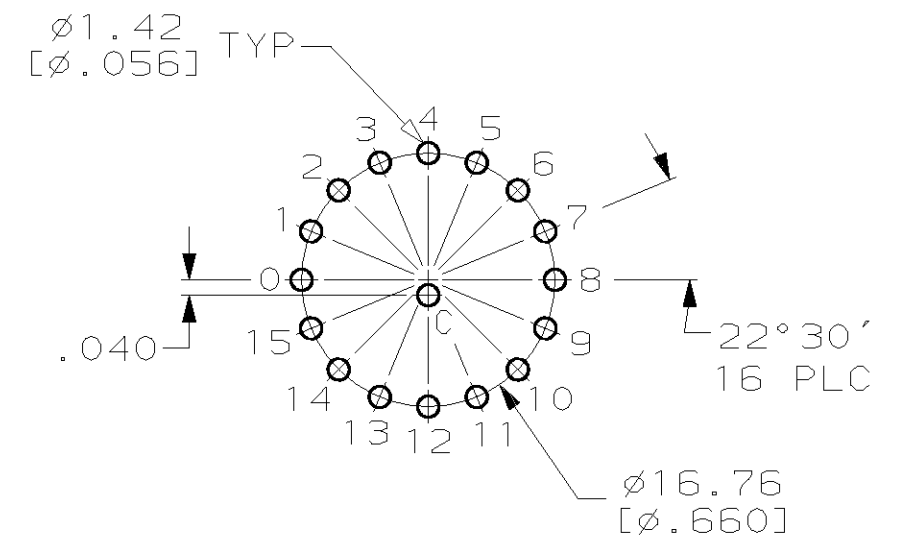
**OBSOLETE** 1-435304-3

THIS DRAWING IS A CONTROLLED DOCUMENT.		DWN R. TALLEY 8-7-92	AMP Incorporated Harrisburg, PA 17105-3608				
DIMENSIONS: mm [INCHES]		CHK R. MILLER 8-7-92					
TOLERANCES UNLESS OTHERWISE SPECIFIED:		APVD D. HUFFMAN 8-9-91	NAME ROTARY SWITCH ASSY, 16 POSN, 6000 SERIES SINGLE POLE				
0 PLC ±- 1 PLC ±- 2 PLC ±0.5 [.02] 3 PLC ±- 4 PLC ±- ANGLES ±0°30'		PRODUCT SPEC 108-7514					
MATERIAL CASE: THERMOPLASTIC, COLOR NATURAL CONTACT: BRASS		FINISH 1	APPLICATION SPEC 114-7005	SIZE A3	CAGE CODE 00779	DRAWING NO C-435304	RESTRICTED TO -
CUSTOMER DRAWING			WEIGHT -	SCALE 2:1	SHEET 2 OF 3	REV K	

LOC	DIST	REVISIONS					
FT	69	P	LTR	DESCRIPTION	DATE	DWN	APVD
		-		SEE SHEET 1	-	-	-



1 FINISH: SOLDER TAILS TIN PLATE 0.0038 [.000150] MIN THK OVER 0.0013 [.000050] MIN THK NICKEL. CONTACT AREA 0.00076 [.000030] MIN. HARD GOLD OVER 0.00127-0.00254 [.000050-.000100] LOW STRESS NICKEL.



	SWITCH POSITION															
	0	1	2	3	4	5	6	7	8	9	10	11	12	13	14	15
0	●															
1		●														
2			●													
3				●												
4					●											
5						●										
6							●									
7								●								
8									●							
9										●						
10											●					
11												●				
12													●			
13														●		
14															●	
15																●

**OBSOLETE** 1-435304-4

THIS DRAWING IS A CONTROLLED DOCUMENT.		DWN	C. WHITT	9-10-92	<b>AMP</b> AMP Incorporated Harrisburg, PA 17105-3608		
DIMENSIONS: mm [INCHES]		CHK	R. TALLEY	9-11-92			
TOLERANCES UNLESS OTHERWISE SPECIFIED:		APVD	D. HUFFMAN	9-11-92	NAME ROTARY SWITCH ASSY, 16 POSN, 6000 SERIES SINGLE POLE		
0 PLC ±-		PRODUCT SPEC		108-7514		SIZE	
1 PLC ±-		APPLICATION SPEC		114-7005		CAGE CODE	
2 PLC ±0.5 [.02]		WEIGHT		-		DRAWING NO	
3 PLC ±-		CUSTOMER DRAWING		SCALE		SHEET	
4 PLC ±-		FINISH		1		3 OF 3	
ANGLES ±0°30'		MATERIAL		CASE: THERMOPLASTIC, COLOR		RESTRICTED TO	
		NATURAL				-	
		CONTACT: BRASS				REV	
						K	

# Mouser Electronics

Authorized Distributor

Click to View Pricing, Inventory, Delivery & Lifecycle Information:

[TE Connectivity:](#)

[1-435304-1](#)